

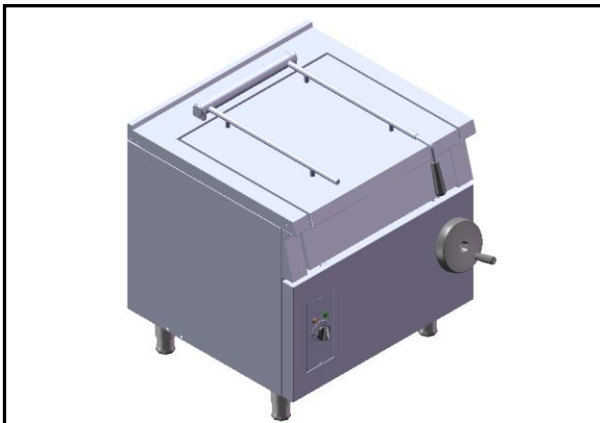


Total Food-Service Solutions

Modular Cooking – Meritus 750

Electric Tilting Pan

NETP 8-75 MR



*Due to routine technical improvement, the photograph shown may not represent the latest design of the products.

AVAILABLE MODEL

1. NETP 8-75 MR

DESCRIPTION

Electric Tilting Pan with 7.8 kW power rate. Operation temperature maintained by thermostat with maximum working temperature of 300°C, unit to be installed on closed cabinet, cantilever, or solid block solutions. Featuring removable clip joint to connect Meritus family product.

ITEM# : _____

MODEL# : _____

NAME : _____

SN : _____

MAIN FEATURE

- Maximum working temperature of 300°C
- Unit to be installed free standing, can be joined with cabinet or cantilever system.
- 43 Liters Pan Capacity.
- Manual Tilting Operation.
- 10 mm Thick Braising Pan SS420.
- Service maintenance can be done from the front cabinet.

CONSTRUCTION

- All exterior panels in 304 type of Stainless Steel
- Orbital top panel anti-scratch finishing.
- Top and side are mounted by 1.5mm of Stainless Steel.
- Adjustable ± 25 mm Stainless Steel leg.
- Certified IPX4 protection.

INCLUDED ACCESSORIES

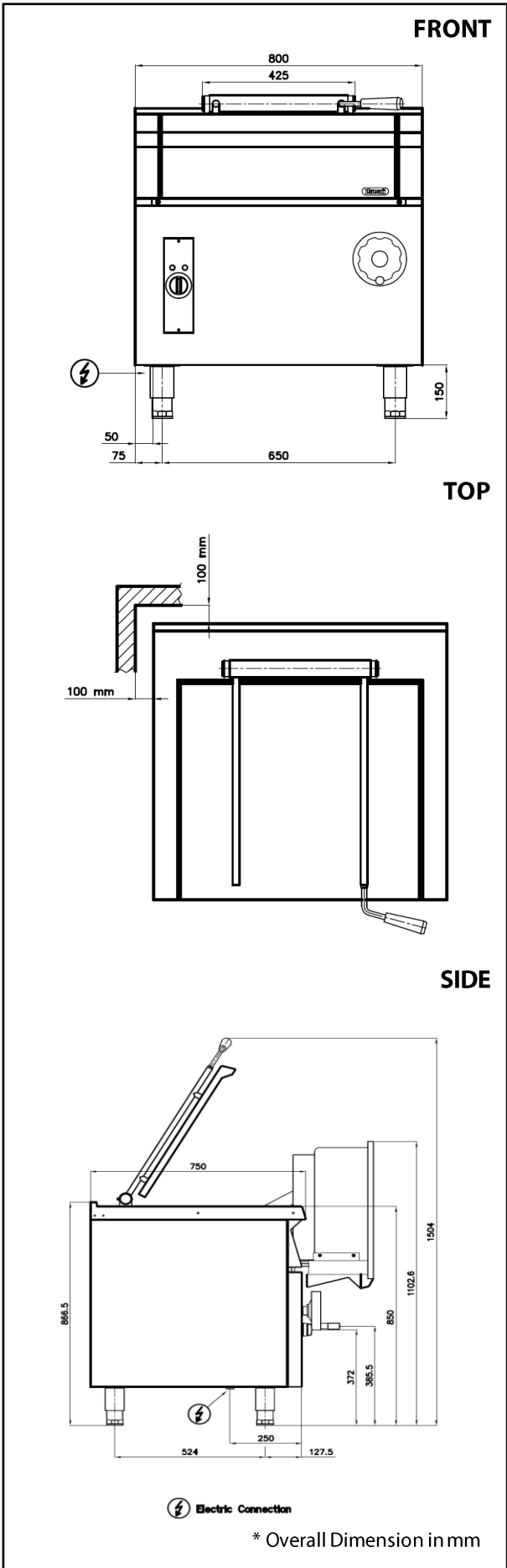
- N/A

OPTIONAL ACCESSORIES

- Clip Plate for Joining

The company reserves the right to make modifications to the products without prior notice. All information correct at time of printing.
2018.06.25





ELECTRIC

| | | |
|------------------------------------|---|---------|
| Electrical rating (kW) | : | 7.8 |
| Element rating (kW) | : | 7.8 |
| Electrical supply voltage | : | 400V 3N |
| Required electrical supply (amps): | : | 12 |

KEY INFORMATION

| | | |
|--------------------------|---|----------------|
| Unit dimension (WxDxH) | : | 800x750x850 mm |
| Cooking surface (WxD) | : | 585x425 mm |
| Direct heat emission | : | 4.59 kW |
| Latent heat emission | : | 4.08 kW |
| Steam emission | : | 6.0 kg / h |
| Min. working temperature | : | 50°C |
| Max. working temperature | : | 300°C |
| Capacity Max | : | 43 L |
| Net weight | : | 118 kg |

PACKING DETAILS

| | | |
|-----------------|---|----------------------|
| Shipping width | : | 870 mm |
| Shipping depth | : | 940 mm |
| Shipping height | : | 1060 mm |
| Shipping volume | : | 0.866 m ³ |
| Gross weight | : | 134 kg |

The company reserves the right to make modifications to the products without prior notice. All information correct at time of printing. 2018.06.25